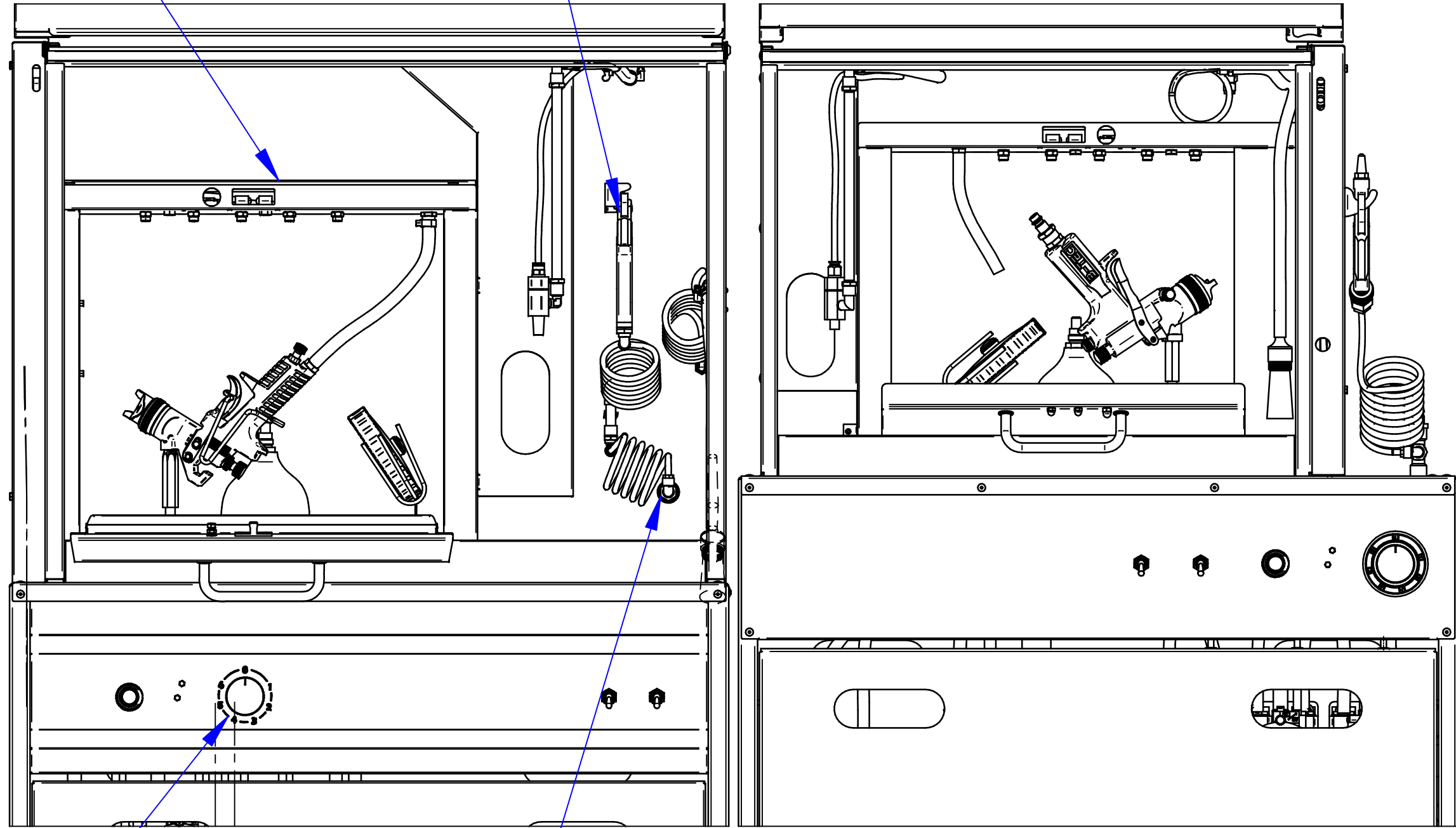


Ventile und Schläuche verdeckt.
(Schutz vor Flüssigkeiten).
Valve and hoses covered
(Protection from liquids).

Abblaspistole im Waschgerät positioniert.
Blow-off gun placed inside washer.



Skala eingelasert + Alle Bedienelemente
zum Schutz in eingerückter Blende eingelassen.
Scale lasered + all controls in
indented panel for protection.

Freie Druckluftkupplung zum Schutz der
Lackierpistole bei der manuellen Reinigung
und/oder zum Ausblasen.
Free compressed air coupling for protecting the
paint spray gun during manual cleaning
and/or for blowing out.

COPYING THIS DOCUMENT, DISCLOSING IT TO THIRD PARTIES OR USING
 THE CONTENTS THERE FOR ANY PURPOSES WITHOUT EXPRESS WRITTEN
 AUTHORIZATION BY USE ILLEGALLY FORBIDDEN. ANY OFFENDERS ARE
 LIABLE TO PAY ALL RELEVANT DAMAGES.

002005200.001

(Project)	(Allow. dev.)	(Surface)	Scale 1:10 (1:5)	(Weight)
			(Material)	(Blank dimensions)
	Date	Name	(Title)	
	Drawn 11.12.24	J. Rohmann	Modellupdate ud-800 2025	
	Checked			
	Appr.			
			(Drawing number)	Sheet 2
			002.005.200.002	2 Pa.
Mark	Revision	Date	Name (Req.)	(Cr. by)

B-TEC emah
 Zufweg 6-8
 D-31303 Burgdorf
 Fon: +49(0)5085-97100-0
 Fax: +49(0)5085-97100-30
 info@btcsystems.de
 www.btcsystems.com

AB